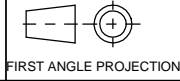


A2 INSTALLATION DRAWING

If this document is printed in hardcopy, it is for information use only and therefore is not subject to updating controls. Always refer to viewer for latest issue.



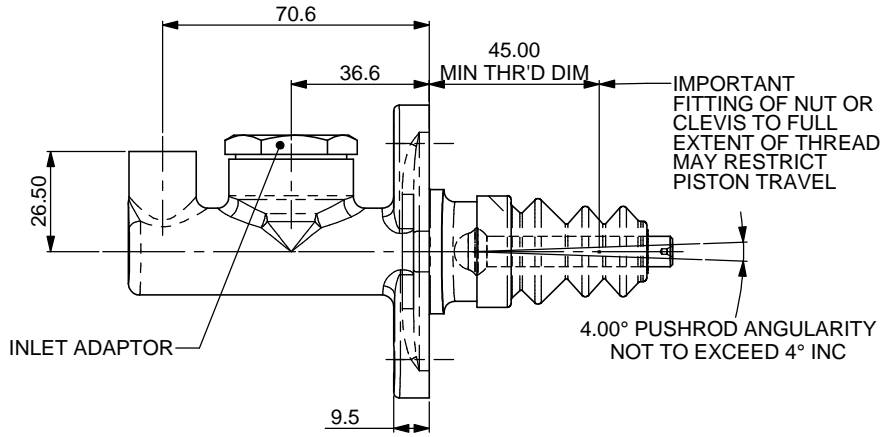
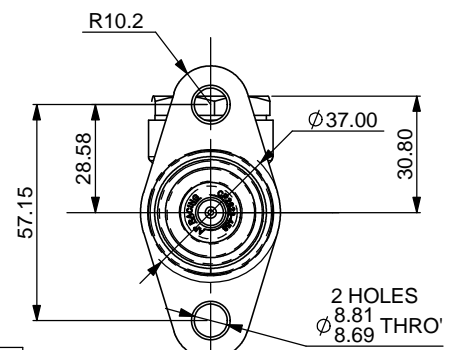
THIS DRAWING IS CONFIDENTIAL AND IS SUPPLIED ON THE EXPRESS CONDITION THAT IT SHALL NOT BE LOANED OR COPIED OR DISCLOSED TO ANY OTHER PERSON OR USED FOR ANY OTHER PURPOSE WITHOUT THE WRITTEN CONSENT OF AP RACING LTD.



AP Racing
Wheler Road
Coventry
CV3 4LB

Tel: +44 024 7663 9595
Fax: +44 024 7663 9559
e-mail: sales@ap racing.co.uk
Web site: http://www.ap racing.com

© AP Racing Ltd. 2005



AVAILABLE SIZES OF CYLINDER	
PART NUMBER	BORE SIZE
SMALL BORE CYLINDERS	
CP2623-88	Ø14
CP2623-89	Ø15
CP2623-90	Ø15.9 (5/8")
CP2623-905	Ø16.8
CP2623-91	Ø17.8 (0.70")
CP2623-92	Ø19.1 (3/4")
LARGE BORE CYLINDERS	
CP2623-93	Ø20.6
CP2623-94	Ø22.2
CP2623-95	Ø23.8 (15/16")
CP2623-96	Ø25.4 (1.0")

GENERAL DESCRIPTION:
LIGHT WEIGHT MASTER CYLINDER FOR USE IN ALL CAR APPLICATIONS. CP2623 MASTER CYLINDER IS SUPPLIED WITH 7/16" THREADED INLET FOR ALTERNATIVE INLETS & RESERVOIR OPTIONS SEE SHEET 2.

WEIGHT.....TBA (LB)
FULL STROKE.....25.4 (1.0")
TRAVEL TO CUT-OFF

SHORT.....0.68 TO 1.09 (0.027" TO 0.043")

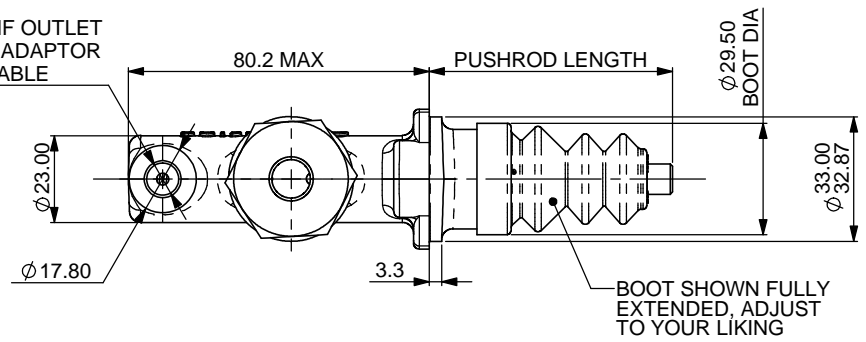
HYDRAULIC THREADS.....7/16" x 20UNF INLET
3/8" x 24UNF OUTLET

BODY MATERIAL.....ALUMINIUM ALLOY
TYPICAL APPLICATIONS.....FOR USE IN ALL CARS

INSTALLATION DIMENSIONS FOR 20.6, 22.2, 15/16" & 1.0" BORE MASTER CYLINDERS DIFFER FROM OTHER SIZES DUE TO LARGER BODY. PARTICULAR NOTE SHOULD BE TAKEN OF THE DIFFERENT DIMENSION FROM THE MOUNTING FLANGE TO THE PUSHROD.

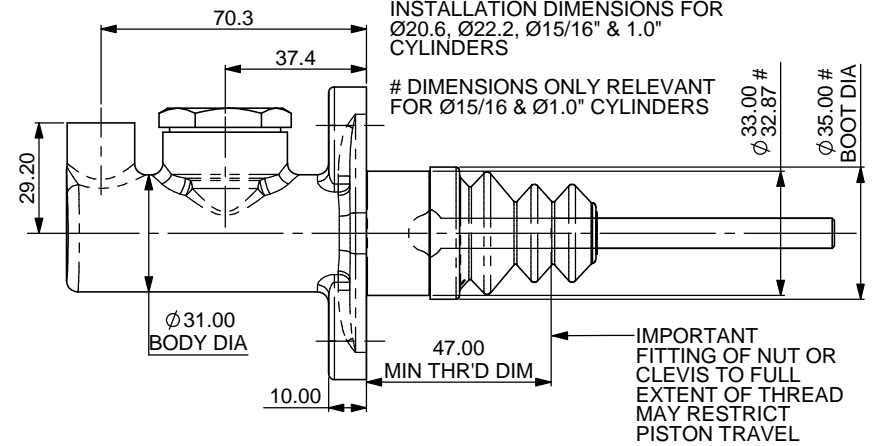
FOR REPAIR KITS ADD RK TO BASIC PART NUMBER, E.G. CP2623-91RK

3/8" x 24 UNF OUTLET AEROQUIP ADAPTOR AVAILABLE

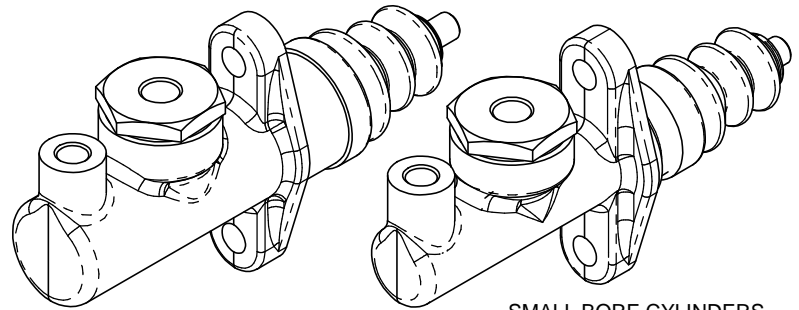


INSTALLATION DIMENSIONS FOR Ø20.6, Ø22.2, Ø15/16" & 1.0" CYLINDERS

DIMENSIONS ONLY RELEVANT FOR Ø15/16" & Ø1.0" CYLINDERS



LARGE BORE CYLINDERS Ø20.6, Ø22.2, Ø15/16" & 1.0"



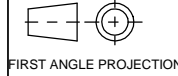
SMALL BORE CYLINDERS Ø14, Ø15, Ø5/8", Ø16.8, Ø0.7", Ø3/4"

Issue No.	Date & No.	Alterations		Zone	Initials
		Particulars			
1	26/04/13 B6317	FIRST ISSUE			SAT
2	24/02/15 B7242	BOOT DIA'S Ø29.50 & Ø31.00 ADDED. DRAWING -1CD, PREVIOUSLY DETAILED CAST BODIES -77CD FOR FORGED BODIES RENUMBERED TO REPLACE		10D 4B	SAT

SCALE 1:1	SHEET 1 OF 2
DRAWN Steve Thomas	
APPROVED	
DERIVED FROM	
TITLE EXTRA SHORT MASTER CYLINDER	
DRG NO. CP2623-1CD	

A2 INSTALLATION DRAWING

If this document is printed in hardcopy, it is for information use only and therefore is not subject to updating controls. Always refer to viewer for latest issue.



THIS DRAWING IS CONFIDENTIAL AND IS SUPPLIED ON THE EXPRESS CONDITION THAT IT SHALL NOT BE LOANED OR COPIED OR DISCLOSED TO ANY OTHER PERSON OR USED FOR ANY OTHER PURPOSE WITHOUT THE WRITTEN CONSENT OF AP RACING LTD.

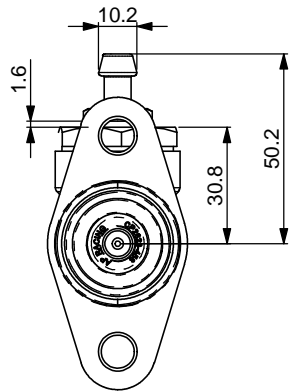


AP Racing
Wheler Road
Coventry
CV3 4LB

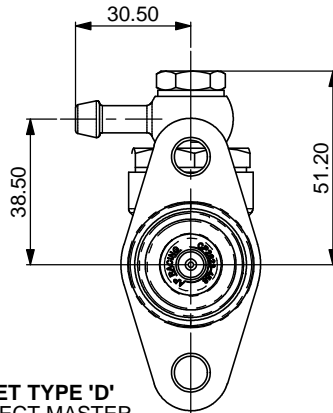
Tel: +44 024 7663 9595
Fax: +44 024 7663 9559
e-mail: sales@ap racing.co.uk
Web site: http://www.ap racing.com

© AP Racing Ltd. 2005

ALTERNATIVE INLET OPTIONS



INLET TYPE 'A'
SELECT MASTER CYLINDER WITH INLET TYPE 'B', PLUS INLET ADAPTOR KIT PART NUMBER CP2623-30



INLET TYPE 'D'
SELECT MASTER CYLINDER WITH INLET TYPE 'B', PLUS INLET ADAPTOR KIT PART NUMBER CP2623-41

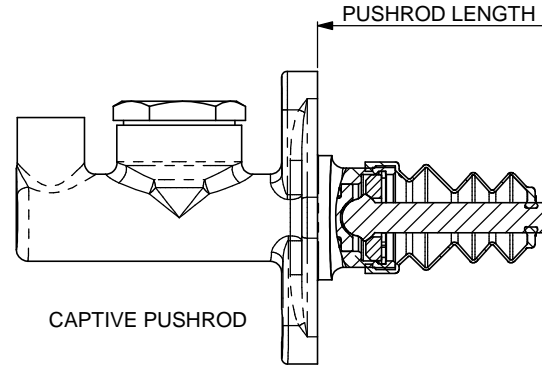
ORDERING:
WHEN ORDERING PLEASE STATE PUSHROD TYPE AND LENGTH REQUIRED. ALSO SPECIFY WHICH TYPE OF INLET IS REQUIRED.
e.g. CP2623-90PRT115E INLET TYPE 'A'.
AP RACING TECHNICAL SECTION WILL BE PLEASED TO ADVISE ON THE MOST SUITABLE EQUIPMENT FOR ANY APPLICATION.

INLET TYPE 'C'
SELECT MASTER CYLINDER WITH INLET TYPE 'B', PLUS RESERVOIR FROM PART NUMBER CHART BELOW.

PLEASE NOTE:
TO FIT CP4709 TYPE RESERVOIRS THE INLET ADAPTOR AND COPPER GASKET ARE TO BE REMOVED. FITTING INSTRUCTIONS SUPPLIED WITH RESERVOIR.

RESERVOIR PART No.	HEIGHT 'H' mm (in)	DIA 'E' mm (in)	VOLUME cm ³ (in ³)
CP4709-10	194 (7.64")	51 (2.0")	183 (11.1)
CP4709-11	144 (5.67")	51 (2.0")	123 (7.5)
CP4709-12	104 (4.09")	51 (2.0")	75 (4.5)
CP2293-163	167 (6.57")	89 (3.5")	340 (20.7)

OTHER RESERVOIR OPTIONS AVAILABLE, SEE AP RACING HYDRAULIC ACTUATION CATALOGUE



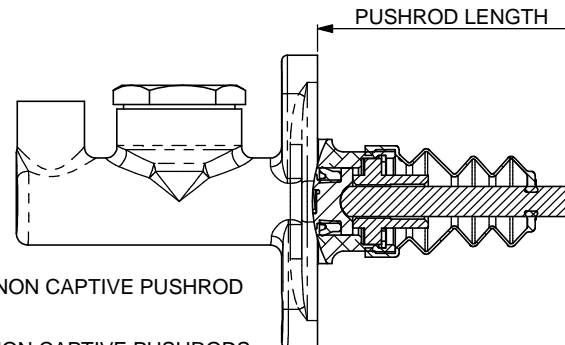
CAPTIVE PUSHROD

PUSHRODS ARE AVAILABLE IN THE FOLLOWING LENGTHS: 115mm (4.53") AND 160mm (6.3"). NON-STANDARD LENGTHS AVAILABLE ON REQUEST.

CAPTIVE PUSHROD TYPES:
PRT - PUSH ROD THREADED 5/16" UNF
PRM - PUSH ROD THREADED M8 x 1.25
PUSH ROD LENGTHS ARE MEASURED FROM THE MOUNTING FLANGE.

IMPORTANT NOTE:
CP2623 MASTER CYLINDER IS INDIVIDUALLY SHIMMED DURING ASSEMBLY TO MINIMISE FREE PLAY. THEREFORE PUSH RODS SHOULD NOT BE SWITCHED BETWEEN INDIVIDUAL MASTER CYLINDER ASSEMBLIES.

PUSHROD EXTENSIONS THAT GIVE A TOTAL LENGTH OF OVER 200mm ARE NOT RECOMMENDED. IT IS THE CUSTOMERS RESPONSIBILITY TO CHECK SUITABILITY OF PUSHROD AND EXTENTION PIECES TO TAKE APPLIED LOADS.



NON CAPTIVE PUSHROD

NON CAPTIVE PUSHRODS:
CP2623 MASTER CYLINDER IS AVAILABLE WITH NON CAPTIVE PUSHRODS. THIS ENABLES THE REMOVAL OF THE MASTER CYLINDER WITHOUT NEED TO REMOVE THE PUSHROD FROM THE BRAKE PEDAL OR BALANCE BAR ASSEMBLY. PUSH RODS ARE AVAILABLE IN LENGTHS EQUIVALENT TO THOSE SHOWN ABOVE.
PUSHROD TYPES:
NCT - NON CAPTIVE PUSHROD THREADED 5/16" UNF
NCM - NON CAPTIVE PUSHROD THREADED M8 x 1.25

Issue No.	Date & No.	Alterations Particulars	Zone	Initials
		SEE SHEET 1 FOR DETAILS		

SCALE 1:1	SHEET 2 OF 2
DRAWN	Steve Thomas
APPROVED	
DERIVED FROM	
TITLE EXTRA SHORT MASTER CYLINDER	
DRG NO.	CP2623-1CD