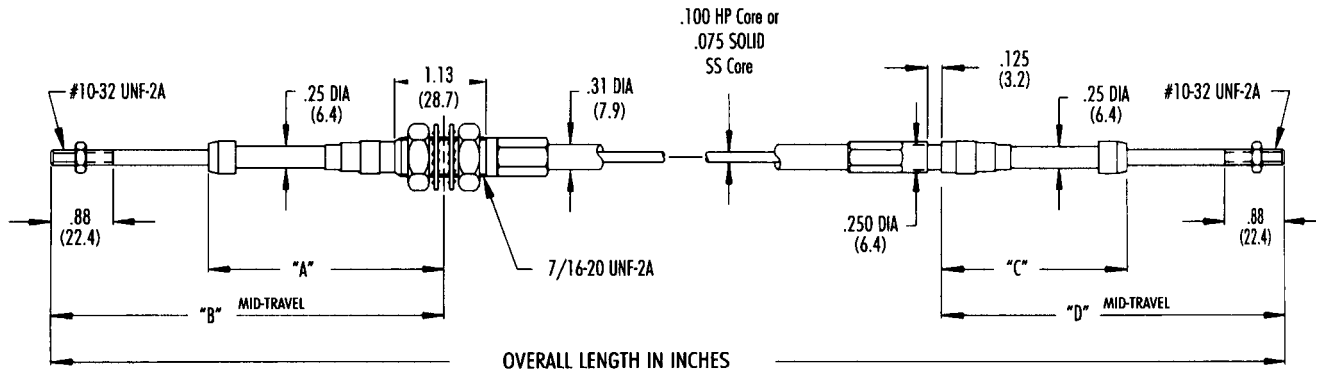


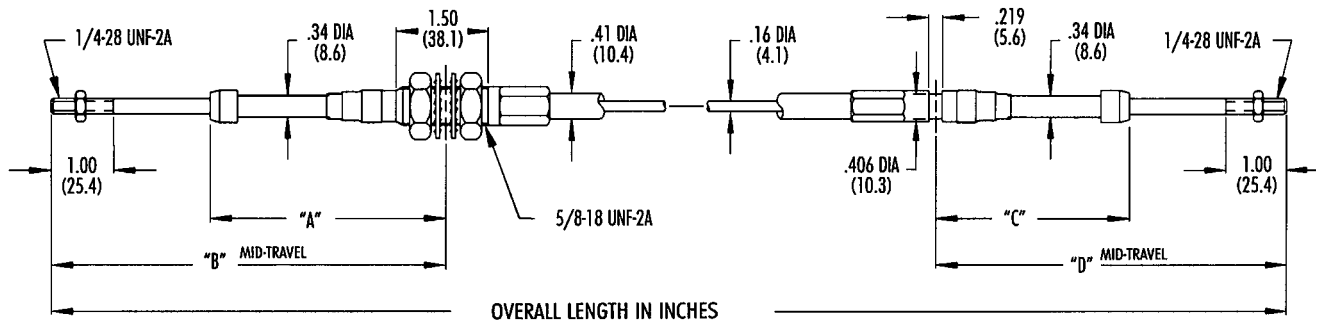
Push-Pull HP Cables

Can be custom assembled by local F.A.S.T. distributors

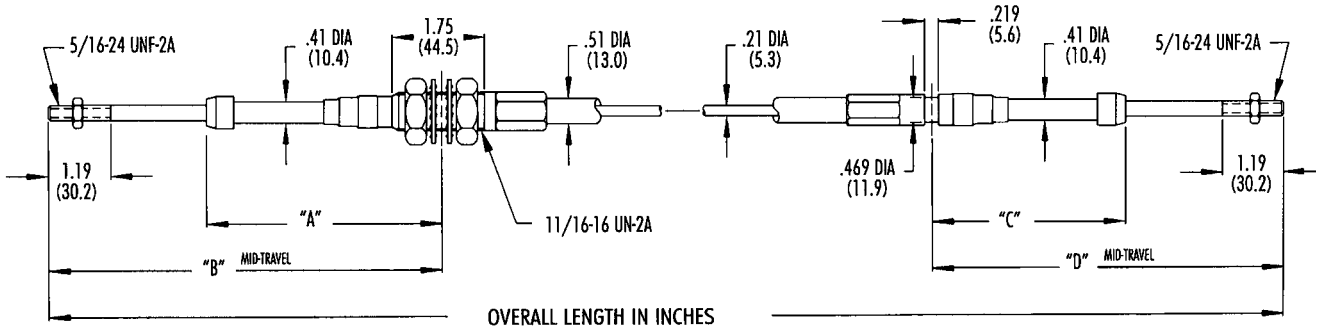
3 SERIES



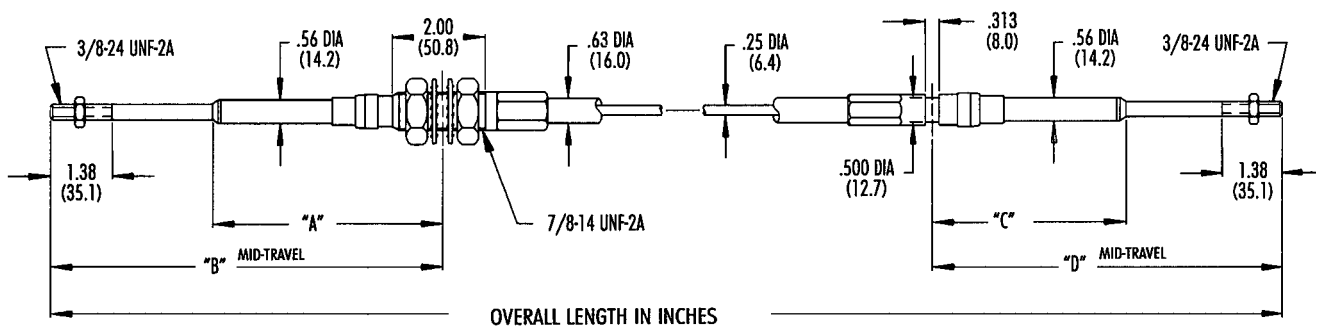
4 SERIES



6 SERIES



8 SERIES



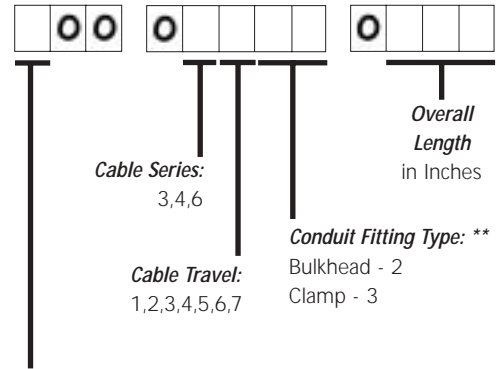
- Temperature Range:
 - 65 to +225°F / -54 to +107°C Std.
 - 65 to +300°F / -54 to +149°C HEFT 2
- Low Backlash
- High Efficiency
- Conduit Color:
 - Dark Maroon - HP Cable Std.
 - Gloss Black - HEFT 2

3 SERIES

HP Core
or Solid Core
10-32 Thread
3" Bend Radii (HP)
6" Bend Radii
(Solid Core)

Specifications						
Travel	Bulkhead End		Clamp End		Operating Loads	
	DIM "A" Inch/(MM)	DIM "B" Inch/(MM)	DIM "C" Inch/(MM)	DIM "D" Inch/(MM)	Push Lbs./ (N)	Pull Lbs./ (N)
1.0 (25.4)	3.00 (76.2)	4.44 (112.8)	2.31 (58.7)	3.75 (95.3)	80 (356)	120 (534)
2.0 (50.8)	4.00 (101.6)	5.94 (150.9)	3.31 (84.1)	5.25 (133.4)	80 (356)	120 (534)
3.0 (76.2)	5.00 (127.0)	7.44 (189.0)	4.31 (109.5)	6.75 (171.5)	70 (311)	120 (534)
4.0 (101.6)	6.00 (152.4)	8.94 (227.1)	5.31 (134.9)	8.25 (209.6)	60 (267)	120 (534)
5.0 (127.0)	7.00 (177.8)	10.44 (265.2)	6.31 (160.3)	9.75 (247.7)	45 (200)	120 (534)
6.0 (152.4)	8.00 (203.2)	11.94 (303.3)	7.31 (185.6)	11.25 (285.7)	35 (155.8)	120 (534)
7.0 (177.8)	9.00 (228.6)	13.44 (341.4)	8.31 (211.0)	12.75 (323.8)	25 (111.3)	120 (534)

Building a Part Number



4 SERIES

HP Core
1/4-28 Thread
5" Bend Radii

Specifications						
Travel	Bulkhead End		Clamp End		Operating Loads	
	DIM "A" Inch/(MM)	DIM "B" Inch/(MM)	DIM "C" Inch/(MM)	DIM "D" Inch/(MM)	Push Lbs./ (N)	Pull Lbs./ (N)
1.0 (25.4)	3.13 (79.5)	4.69 (119.1)	2.50 (63.5)	4.06 (103.1)	150 (667)	230 (1023)
2.0 (50.8)	4.13 (104.9)	6.19 (157.2)	3.50 (88.9)	5.56 (141.2)	150 (667)	230 (1023)
3.0 (76.2)	5.13 (130.3)	7.69 (195.3)	4.50 (114.3)	7.06 (179.3)	125 (556)	230 (1023)
4.0 (101.6)	6.13 (155.7)	9.19 (233.4)	5.50 (139.7)	8.56 (217.4)	100 (445)	230 (1023)
5.0 (127.0)	7.13 (181.1)	10.69 (271.5)	6.50 (165.1)	10.06 (255.5)	75 (334)	230 (1023)
6.0 (152.4)	8.13 (206.5)	12.19 (309.6)	7.50 (190.5)	11.56 (293.6)	55 (244.8)	230 (1023)
7.0 (177.8)	9.13 (231.9)	13.6 (347.7)	8.50 (215.9)	13.06 (331.7)	45 (200.3)	230 (1023)

Cable Type

- 0 Solid Core (3 Series Only)
- 1 Hi-Performance (Standard)
- 2 Marine
- 3 HEFT 2 (Hi-Performance & High Temperature)
- 4 Marine HEFT 2

**B-C Combo Hubs = 5

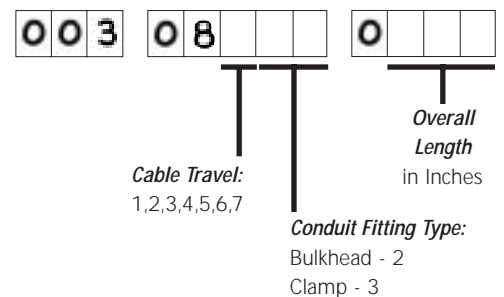
Bulkhead and Clamp on same end.
To order a Bulkhead/Clamp Combination cable, use digits "55" in the conduit fitting type boxes above. Note: Clamp mounting dimensions are the same as the clamp dimensions shown on these pages. Bulkhead mounting dimensions grow. The B-C Combo hub is a flexible solution for applications where the exact hub fitting (clamp vs. bulkhead) is not known.

6 SERIES

HP Core
5/16-24 Thread
7" Bend Radii

Specifications						
Travel	Bulkhead End		Clamp End		Operating Loads	
	DIM "A" Inch/(MM)	DIM "B" Inch/(MM)	DIM "C" Inch/(MM)	DIM "D" Inch/(MM)	Push Lbs./ (N)	Pull Lbs./ (N)
1.0 (25.4)	3.25 (82.6)	5.00 (127.0)	2.56 (65.0)	4.31 (109.5)	250 (1112)	400 (1779)
2.0 (50.8)	4.25 (108.0)	6.50 (165.1)	3.56 (90.4)	5.81 (147.6)	250 (1112)	400 (1779)
3.0 (76.2)	5.25 (133.4)	8.00 (203.2)	4.56 (115.8)	7.31 (185.7)	210 (934)	400 (1779)
4.0 (101.6)	6.25 (158.8)	9.50 (241.3)	5.56 (141.2)	8.81 (223.8)	170 (756)	400 (1779)
5.0 (127.0)	7.25 (184.2)	11.00 (279.4)	6.56 (166.6)	10.31 (261.9)	130 (578)	400 (1779)
6.0 (152.4)	8.25 (209.6)	12.50 (317.5)	7.56 (192.0)	11.81 (299.9)	90 (400.5)	400 (1779)
7.0 (177.8)	9.25 (235)	14.00 (355.6)	8.56 (217.4)	13.31 (338.0)	60 (267)	400 (1779)

Building a Part Number



8 SERIES

Armor Core
3/8-24 Thread
10" Bend Radii

Specifications						
Travel	Bulkhead End		Clamp End		Operating Loads	
	DIM "A" Inch/(MM)	DIM "B" Inch/(MM)	DIM "C" Inch/(MM)	DIM "D" Inch/(MM)	Push Lbs./ (N)	Pull Lbs./ (N)
1.0 (25.4)	3.69 (93.7)	5.56 (141.2)	3.19 (81.0)	5.06 (128.5)	700 (3114)	1000 (4448)
2.0 (50.8)	4.69 (119.1)	7.06 (179.3)	4.19 (106.4)	6.56 (166.6)	700 (3114)	1000 (4448)
3.0 (76.2)	5.69 (144.5)	8.56 (217.4)	5.19 (131.8)	8.06 (204.7)	600 (2669)	1000 (4448)
4.0 (101.6)	6.69 (169.9)	10.06 (255.5)	6.19 (157.2)	9.56 (242.8)	500 (2224)	1000 (4448)
5.0 (127.0)	7.69 (195.3)	11.56 (293.6)	7.19 (182.6)	11.06 (280.9)	400 (1779)	1000 (4448)
6.0 (152.4)	8.69 (220.7)	13.06 (331.7)	8.19 (208.0)	12.56 (319.0)	275 (1223.8)	1000 (4448)
7.0 (177.8)	9.69 (246.1)	14.56 (369.8)	9.19 (233.4)	14.06 (357.1)	150 (667.5)	1000 (4448)

HEFT 2 Not available in 8 Series